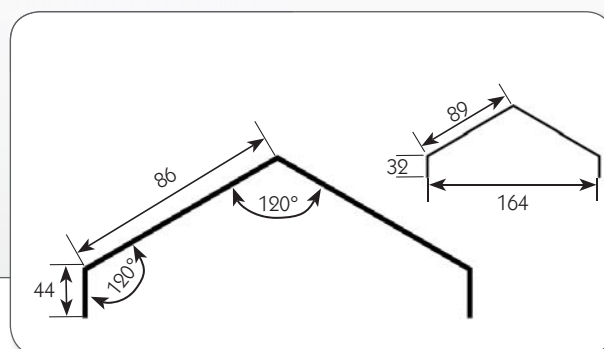
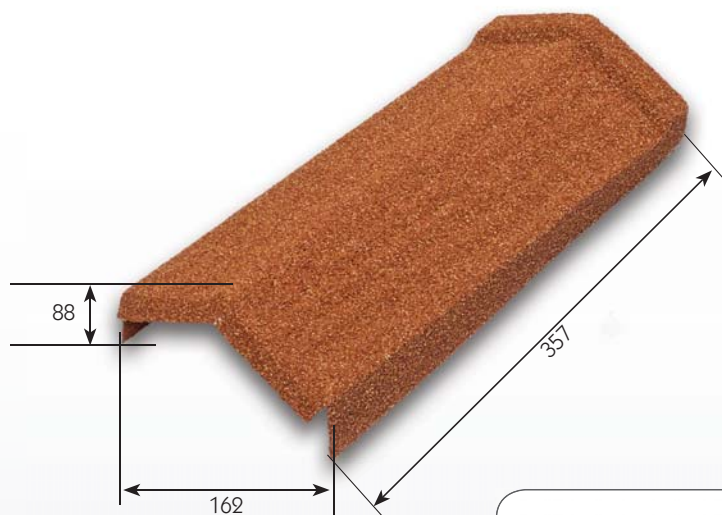


Angle ridge cap 1AR

Hip and ridge accessory
to give the roof a angled, wooden effect



Design

The single angle ridge cap is designed to give your roof a angled wooden 'finishing' effect. It is pressed from ALUZINC 185 metal and available a wide range of colour in granules, satin, brilliance finish to comply with the rest of the roofing materials.

A single angle ridge cap is the small version of a normal angle ridge. This accessory is for sealing the top courses of the tiles at the ridge of the roof. It can also be used for the hips of the roof.

Specifications

Length*	357 mm
Usefull length*	345 mm
Width*	162 mm
Weight*	0,515 kg
Colours	See colour charts

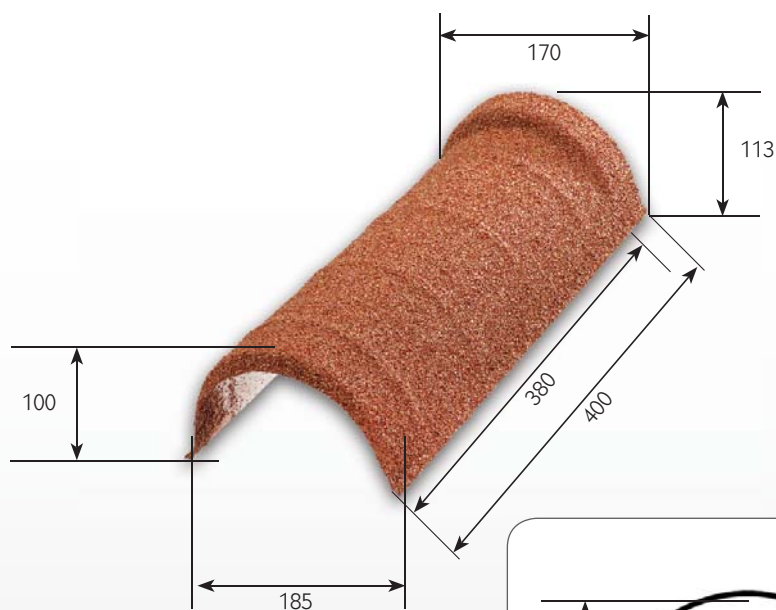
* The measurements and the weight may vary slightly by the finish that is added to the accessory.

Packing

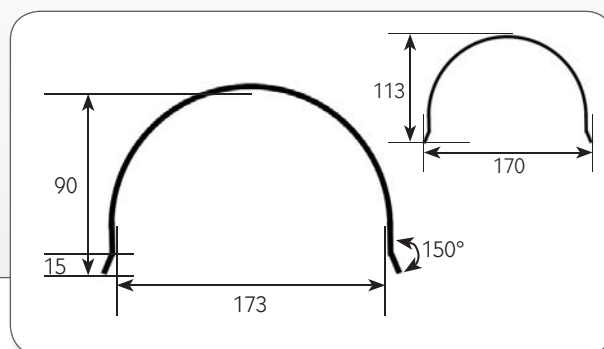
Pieces per pallet	738
Pieces per row in a pallet	163 (first row: 90)
Number of rows in a pallet	6
Pallet dimensions	1400 x 1100 mm
In boxes?	possible // 30 pieces/box

Single Ridge Barrel 1RB

Hip and ridge accessory
to give the roof a more rounded effect



Units in mm



Design

The single ridge barrel is designed to give your roof a rounded 'finishing' effect. It is pressed from ALUZINC 185 metal and available a wide range of colour in granules, satin, brilliance finish to comply with the rest of the roofing materials.

Related products



Specifications

Length*	400 mm
Usefull length*	380 mm
Width*	180 mm
Weight*	0,515 kg
Colours	See colour charts

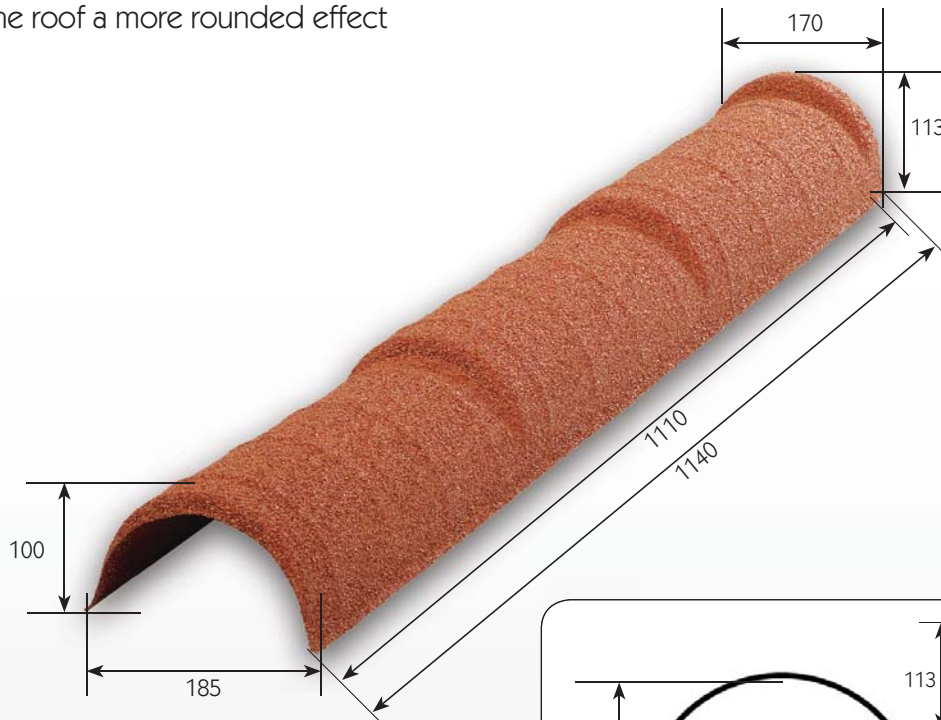
* The measurements and the weight may vary slightly by the finish that is added to the accessory.

Packing

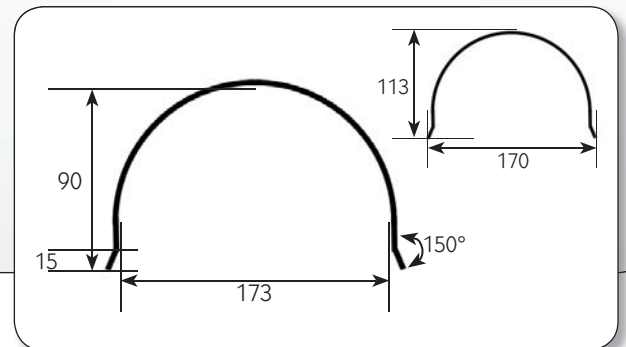
Pieces per pallet	738
Pieces per row in a pallet	163 (first row: 90)
Number of rows in a pallet	6
Pallet dimensions	1400 x 1100 mm
In boxes?	possible // 30 pieces/box

Triple Ridge Barrel 3RB

Hip and ridge accessory
to give the roof a more rounded effect



Units in mm



Design

The triple ridge barrel is designed to give your roof a rounded 'finishing' effect. It is pressed from ALUZINC 185 metal and available a wide range of colour in granules, satin, brilliance finish to comply with the rest of the roofing materials.)

Related products



Specifications

Length*	1140 mm
Usefull length*	1110 mm
Width*	180 mm
Weight*	1,40 kg
Colours	See colour charts

* The measurements and the weight may vary slightly by the finish that is added to the accessory.

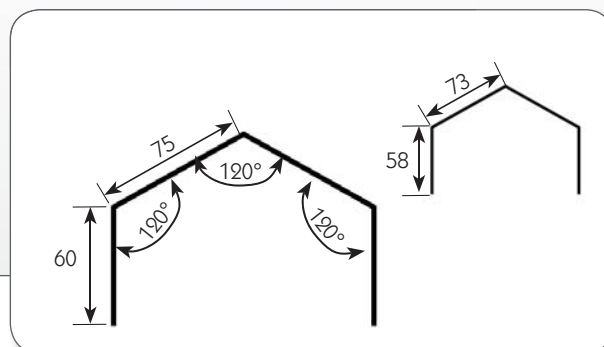
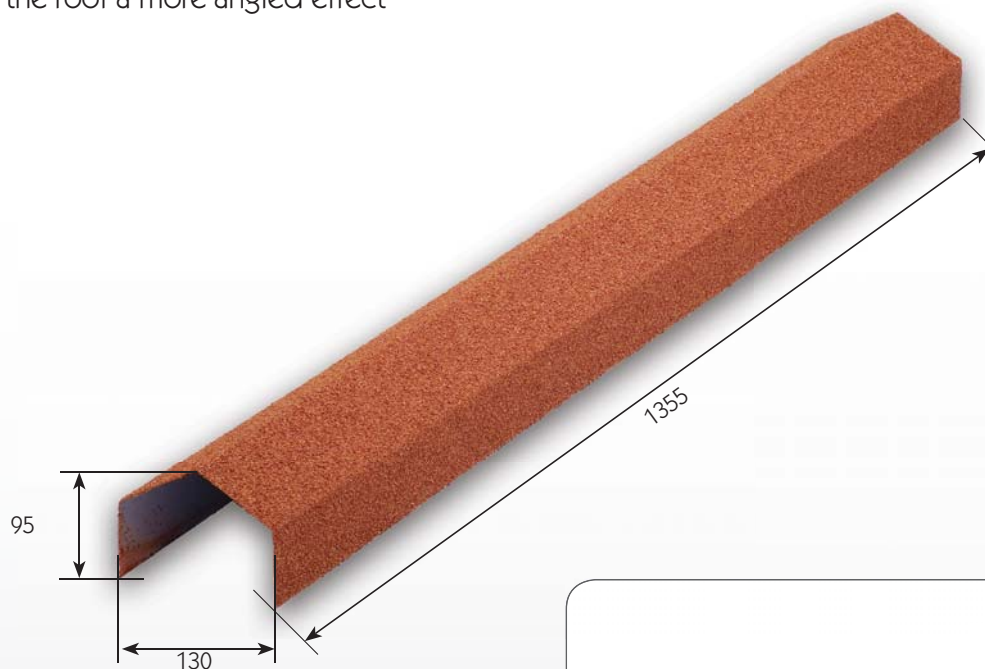
Packing

Pieces per pallet	280
Pieces per row in a pallet	70
Number of rows in a pallet	4
Pallet dimensions	1400 x 1100 mm
In boxes?	possible // 10 pieces/box

Angle Ridge 75

AR

Hip and ridge accessory
to give the roof a more angled effect



Design

The Angle ridge is an accessory designed to give your roof an angled 'finishing' effect.

This accessory is compatible with all of the roofing panels except the Shingle.

It is pressed from ALUZINC 185 metal and available a wide range of colour in granules, satin, brilliance finish to comply with the rest of the roofing materials.

Application

An angled ridge is for sealing the top courses of the tiles at the ridge of the roof. It can also be used for the hips of the roof.

Specifications

Length*	1355 mm
Width*	130 mm
Weight*	1,75 kg
Colours	See colour charts

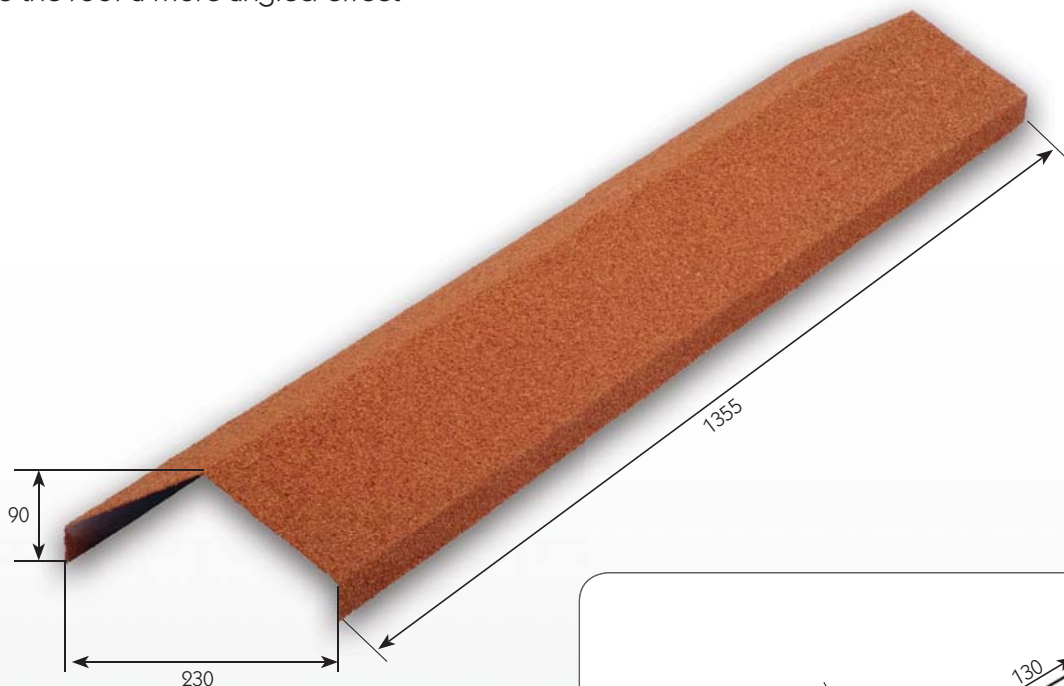
* The measurements and the weight may vary slightly by the finish that is added to the accessory.

Packing

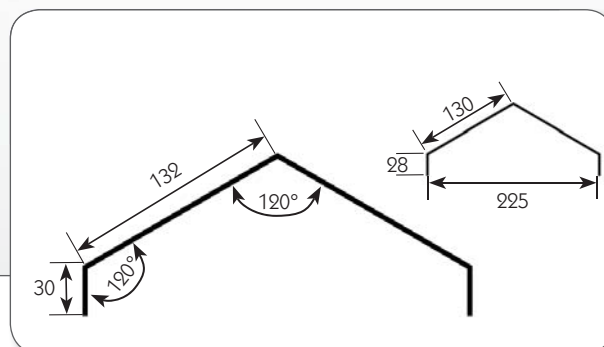
Pieces per pallet	300
Pieces per row in a pallet	66 (36 pieces in first row)
Number of rows in a pallet	5
Pallet dimensions	1400 x 1100 mm
In boxes?	possible // 10 pieces/box

Angle Ridge 130 AR130

Hip and ridge accessory
to give the roof a more angled effect



Units in mm



Design

The Angle ridge is designed to give your roof an angled 'finishing' effect.

This accessory is compatible with all of the roofing panels except the Shingle.

It is pressed from ALUZINC 185 metal and available a wide range of colour in granules, satin, brilliance finish to comply with the rest of the roofing materials.

Application

An angled ridge is for sealing the top courses of the tiles at the ridge of the roof. It can also be used for the hips of the roof.

Related products

End piece 0°
ECD



End piece 90°
ECD90



End piece 135°
ECD135



Specifications

Length*	1255 mm
Width*	230 mm
Weight*	2,11 kg
Colours	See colour charts

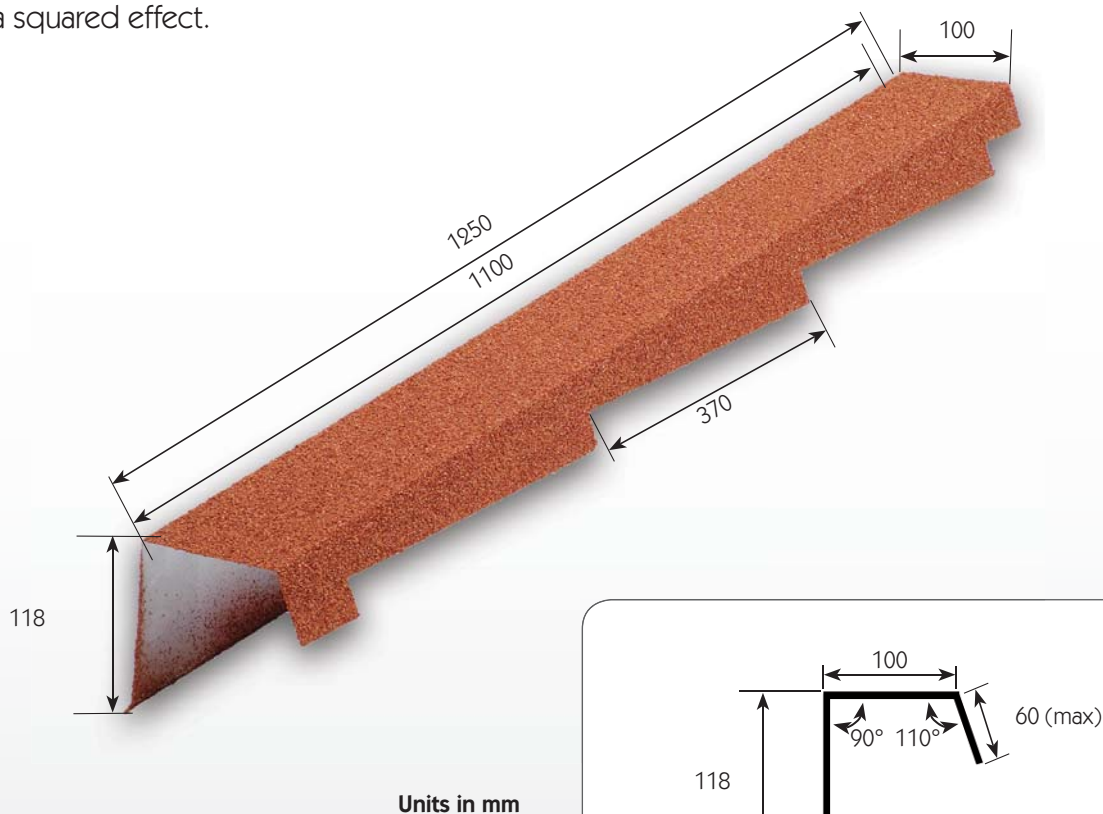
* The measurements and the weight may vary slightly by the finish that is added to the accessory.

Packing

Pieces per pallet	320
Pieces per row in a pallet	70 (40 pieces in first row)
Number of rows in a pallet	5
Pallet dimensions	1400 x 1100 mm
In boxes?	possible // 10 pieces/box

Barge Board Cover left BBCL

Accessory for sealing the sides of the roof with a squared effect.



Units in mm

Design

The barge board cover is designed to give your roof a squared 'finishing' effect.

This accessory is compatible with all of the roofing panels except the Shingle.

It is pressed from ALUZINC 185 metal and available a wide range of colour in granules, satin, brilliance finish to comply with the rest of the roofing materials.

Application

A barge board cover is for sealing the tiles at the side of the roof.

Related products

Verge End Cap
VECL



Specifications

Length*	1250 mm
Usefull length*	1110 mm
Width*	100 mm
Weight*	1,61 kg
Colours	See colour charts

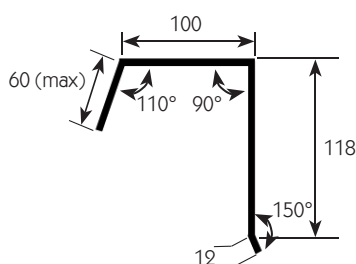
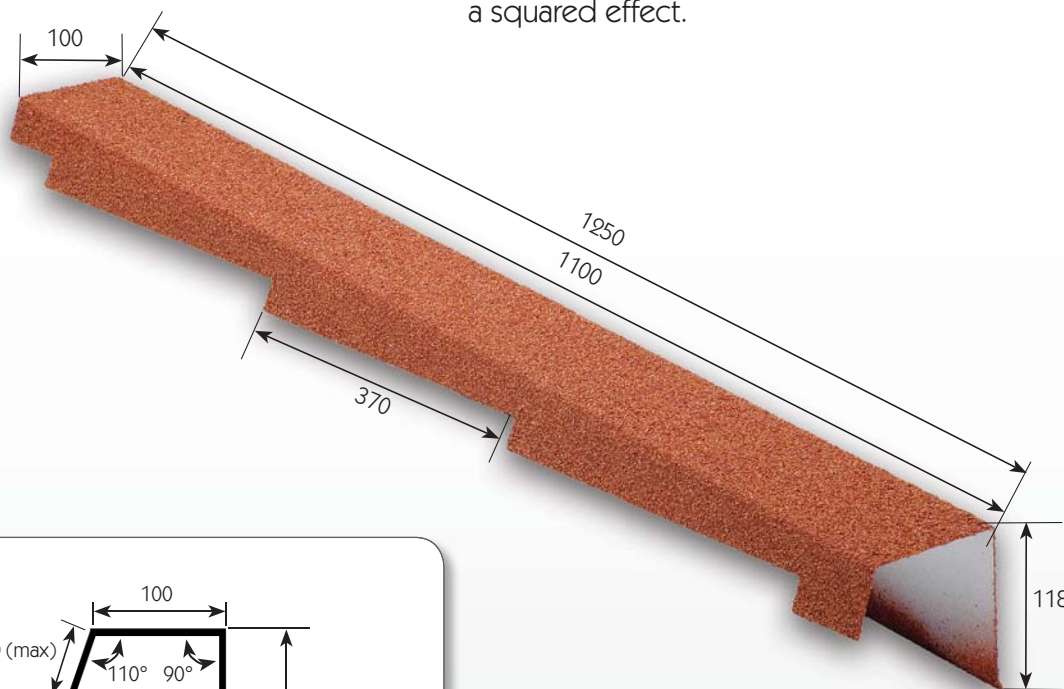
* The measurements and the weight may vary slightly by the finish that is added to the accessory.

Packing

Pieces per pallet	360
Pieces per row in a pallet	90
Number of rows in a pallet	4
Pallet dimensions	1400 x 1100 mm
In boxes?	possible // 10 pieces/box

Barge Board Cover Right BBCR

Accessory for sealing the sides of the roof with a squared effect.



Units in mm

Specifications

Length*	1250 mm
Usefull length*	1110 mm
Width*	100 mm
Weight*	1,61 kg
Colours	See colour charts

* The measurements and the weight may vary slightly by the finish that is added to the accessory.

Packing

Pieces per pallet	360
Pieces per row in a pallet	90
Number of rows in a pallet	4
Pallet dimensions	1400 x 1100 mm
In boxes?	possible // 10 pieces/box

Design

The barge board cover is designed to give your roof a squared 'finishing' effect.

This accessory is compatible with all of the roofing panels except the Shingle.

It is pressed from ALUZINC 185 metal and available a wide range of colour in granules, satin, brilliance finish to comply with the rest of the roofing materials.

Application

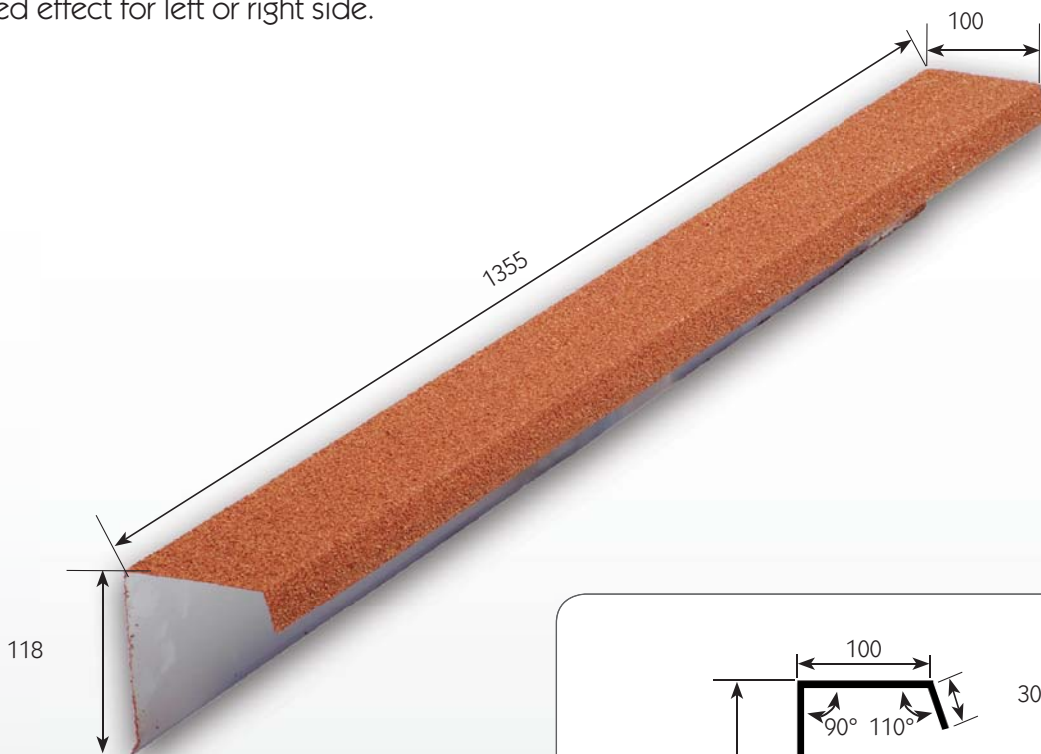
A barge board cover is for sealing the tiles at the side of the roof.

Related products

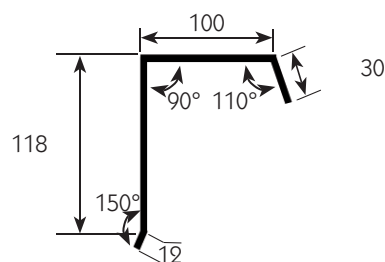


Barge Board Cover stand. BBCS

Accessory for sealing the sides of the roof with a squared effect for left or right side.



Units in mm



Design

The barge board cover is designed to give your roof a squared 'finishing' effect.

This accessory is compatible with all of the roofing panels except the Shingle.

It is pressed from ALUZINC 185 metal and available a wide range of colour in granules, satin, brilliance finish to comply with the rest of the roofing materials.

The standard barge board cover can be used for left sided and rightsided covering.

Related products



Specifications

Length*	1355 mm
Width*	100 mm
Weight*	1,74 kg
Colours	See colour charts

* The measurements and the weight may vary slightly by the finish that is added to the accessory.

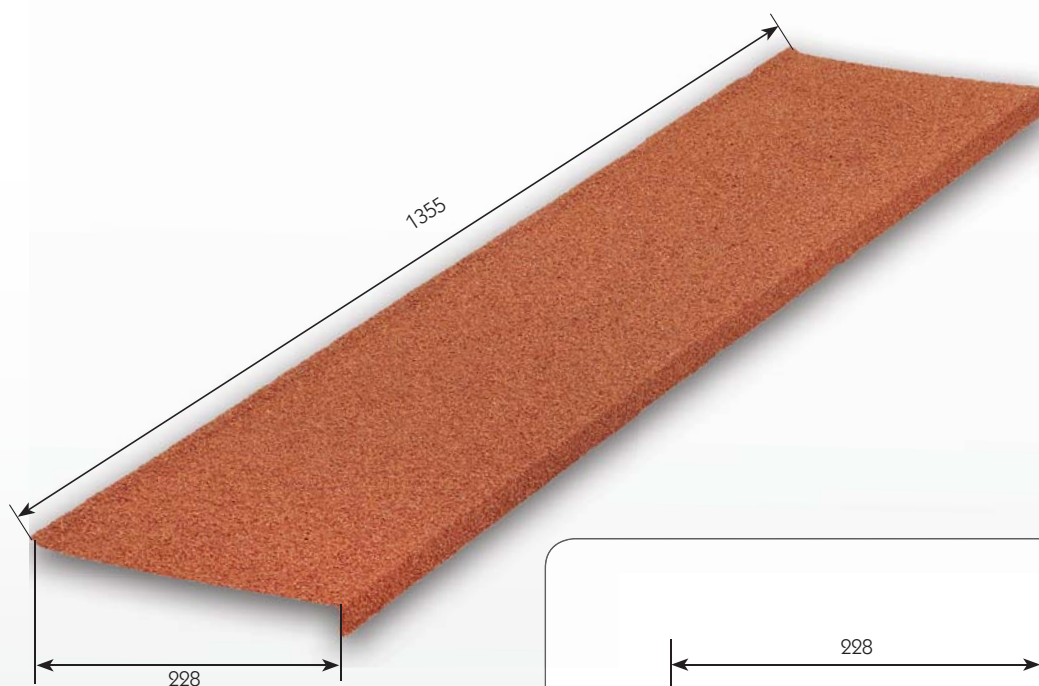
Packing

Pieces per pallet	360
Pieces per row in a pallet	90
Number of rows in a pallet	4
Pallet dimensions	1400 x 1100 mm
In boxes?	possible // 10 pieces/box

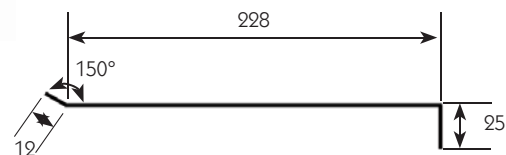
Cover flashing

CF

Top course accessory for a nice finishing between the tiles and ridges.



Units in mm



Design

The cover flashing is designed for sealing the top course of tiles to the ridges.

This accessory is compatible with all of the roofing panels except the Shingle.

It is pressed from ALUZINC 185 metal and available a wide range of colour in granules, satin, brilliance finish to comply with the rest of the roofing materials.

Application

The cover flashing is installed above the top course of tiles and under the rigde.

Specifications

Length*	1355 mm
Weight*	1,64 kg
Colours	See colour charts

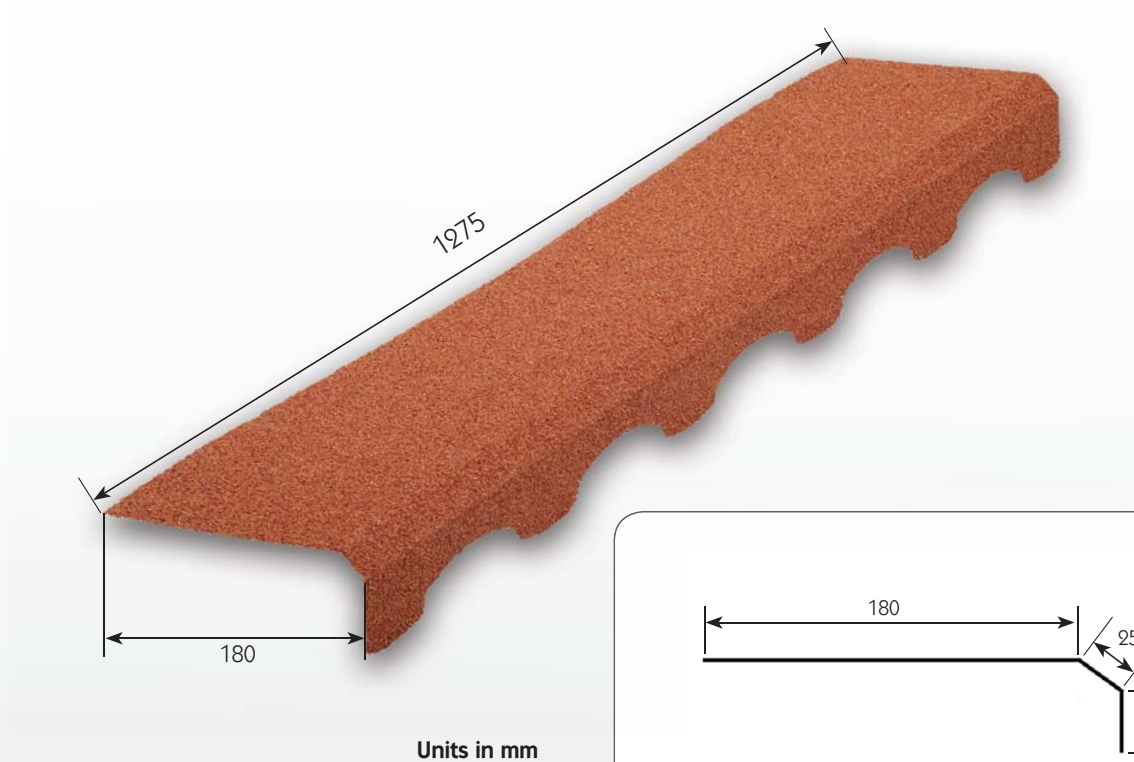
* The measurements and the weight may vary slightly by the finish that is added to the accessory.

Packing

Pieces per pallet	480
Pieces per row in a pallet	60
Number of rows in a pallet	8
Pallet dimensions	1400 x 1100 mm
In boxes?	possible // 10 pieces/box

Cover flashing Roman CFR

Top course accessory for a nice finishing between the tiles and rigdes.



Design

The cover flashing is designed for sealing the top course of tiles to the ridges.

This accessory is only compatible with Roman.

It is pressed from ALUZINC 185 metal and available a wide range of colour in granules, satin, brilliance finish to comply with the rest of the roofing materials.

Application

The cover flashing is installed above the top course of tiles and under the rigde.

Specifications

Length*	1275 mm
Weight*	1,64 kg
Colours	See colour charts

* The measurements and the weight may vary slightly by the finish that is added to the accessory.

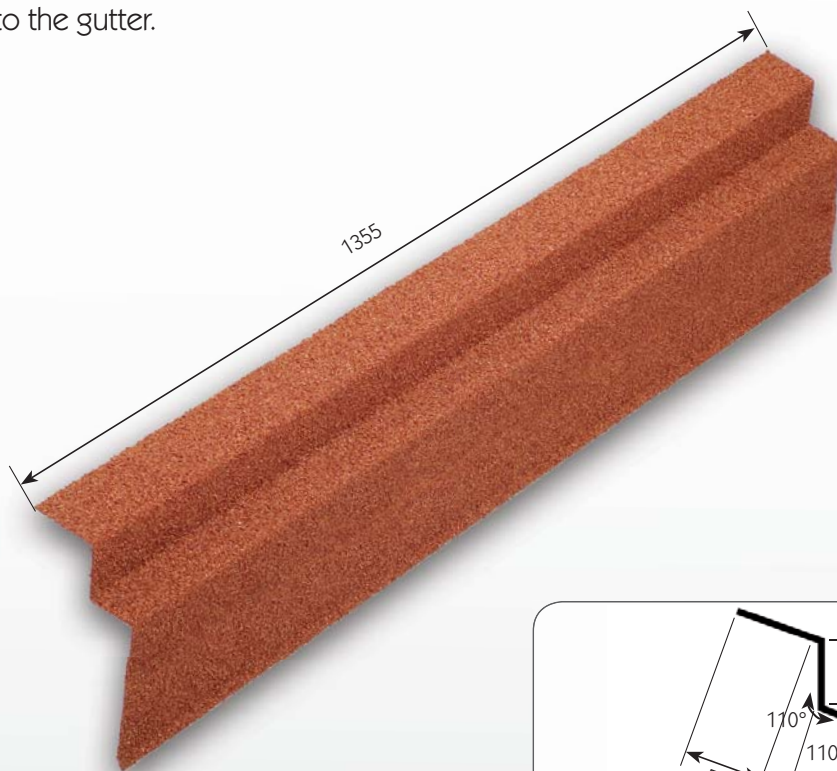
Packing

Pieces per pallet	—
Pieces per row in a pallet	—
Number of rows in a pallet	—
Pallet dimensions	1400 x 1100 mm
In boxes?	possible // 10 pieces/box

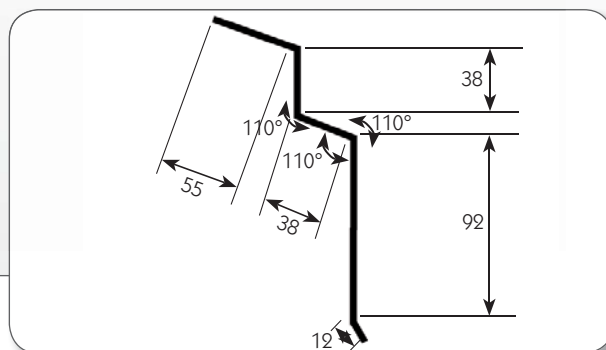
Eave Apron

EA

Accessory to protect the fascia and a nice finishing to the gutter.



Units in mm



Design

The eave apron is designed to meet a wide range of structural variations for covering the fascia at the bottom course of tile.

This accessory is compatible with all of the roofing panels except the Shingle.

It is pressed from ALUZINC 185 metal and available a wide range of colour in granules, satin, brilliance finish to comply with the rest of the roofing materials.

Application

The eave apron has to be installed before the laying the tiles on the roof.

Specifications

Length*	1355 mm
Weight*	1,60 kg
Colours	See colour charts

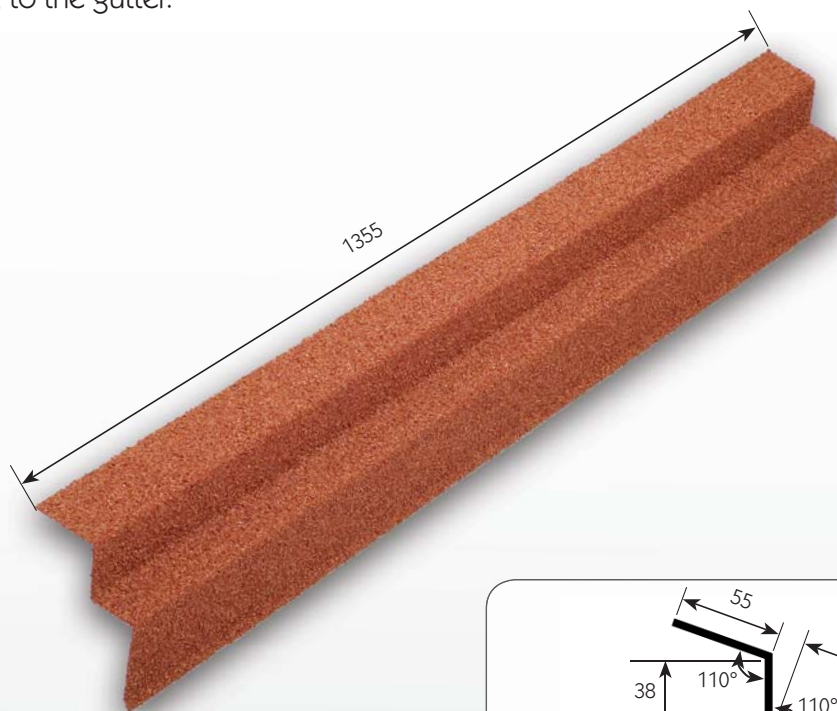
* The measurements and the weight may vary slightly by the finish that is added to the accessory.

Packing

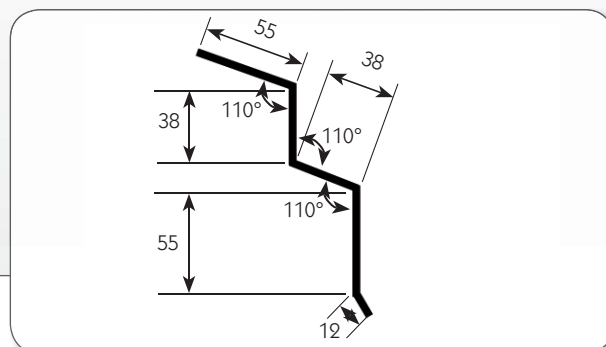
Pieces per pallet	300
Pieces per row in a pallet	50
Number of rows in a pallet	6
Pallet dimensions	1400 x 1100 mm
In boxes?	possible // 10 pieces/box

Eave Apron P EAP

Accessory to protect the fascia and a gives a nice finishing to the gutter.



Units in mm



Design

The eave apron is designed to meet a wide range of structural variations for covering the fascia at the bottom course of tile.

This accessory is compatible with all of the roofing panels except the Shingle.

It is pressed from ALUZINC 185 metal and available a wide range of colour in granules, satin, brilliance finish to comply with the rest of the roofing materials.

Application

The eave apron has to be installed before the laying the tiles on the roof.

Specifications

Length*	1355 mm
Weight*	1,20 kg
Colours	See colour charts

* The measurements and the weight may vary slightly by the finish that is added to the accessory.

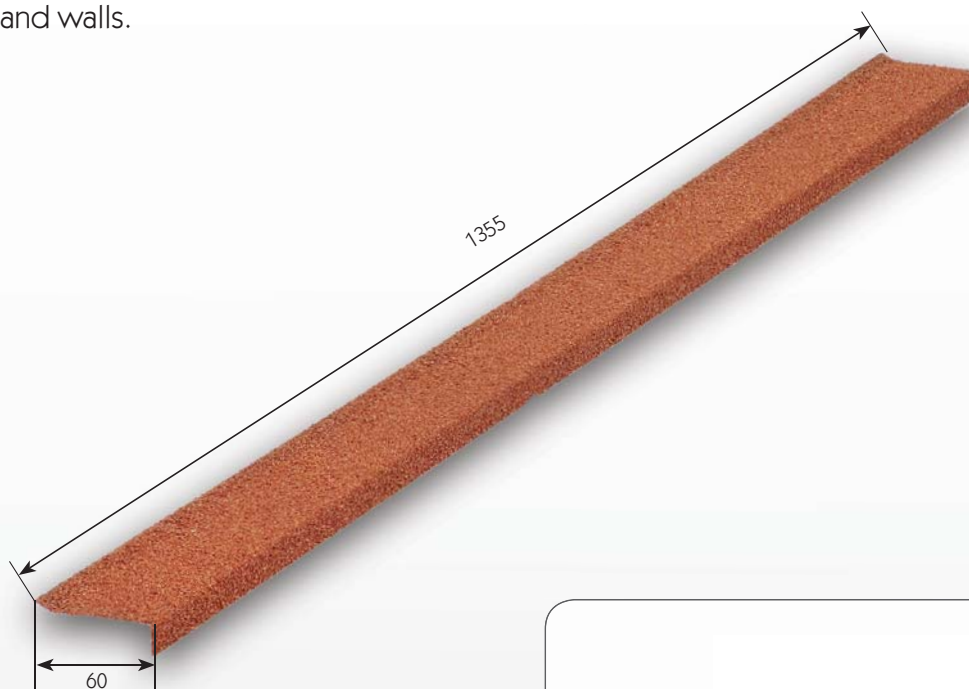
Packing

Pieces per pallet	360
Pieces per row in a pallet	60
Number of rows in a pallet	6
Pallet dimensions	1400 x 1100 mm
In boxes?	possible // 10 pieces/box

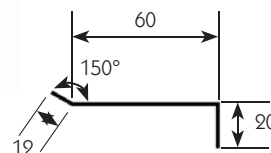
Extra flashing

EF

Extra accessory for a nice finishing between the tiles and walls.



Units in mm



Design

The Extra flashing is designed for sealing the roof edge and a wall.

This accessory is compatible with all of the roofing panels except the Shingle.

It is pressed from ALUZINC 185 metal and available a wide range of colour in granules, satin, brilliance finish to comply with the rest of the roofing materials.

Application

The extra flashing can be used on left or right side.

Specifications

Length*	1255 mm
Width*	68 mm
Weight*	0,68 kg
Colours	See colour charts

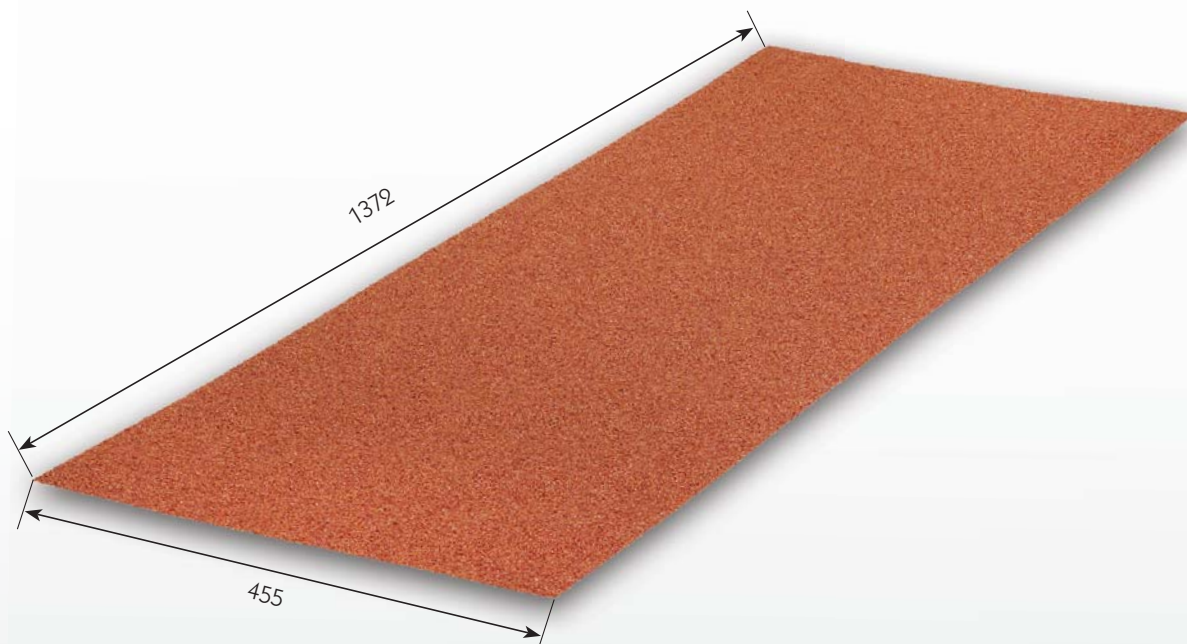
* The measurements and the weight may vary slightly by the finish that is added to the accessory.

Packing

Pieces per pallet	300
Pieces per row in a pallet	50
Number of rows in a pallet	6
Pallet dimensions	1400 x 1100 mm
In boxes?	possible // 10 products/box

Flat sheet FS

To make your own accessories out of a flat sheet in same finish as the roof



Application

A flat sheet can be used to replace standard accessories by tailor made accessories.

Specifications

Length*	1372 mm
Width*	455 mm
Weight*	2,95 kg
Colours	See colour charts

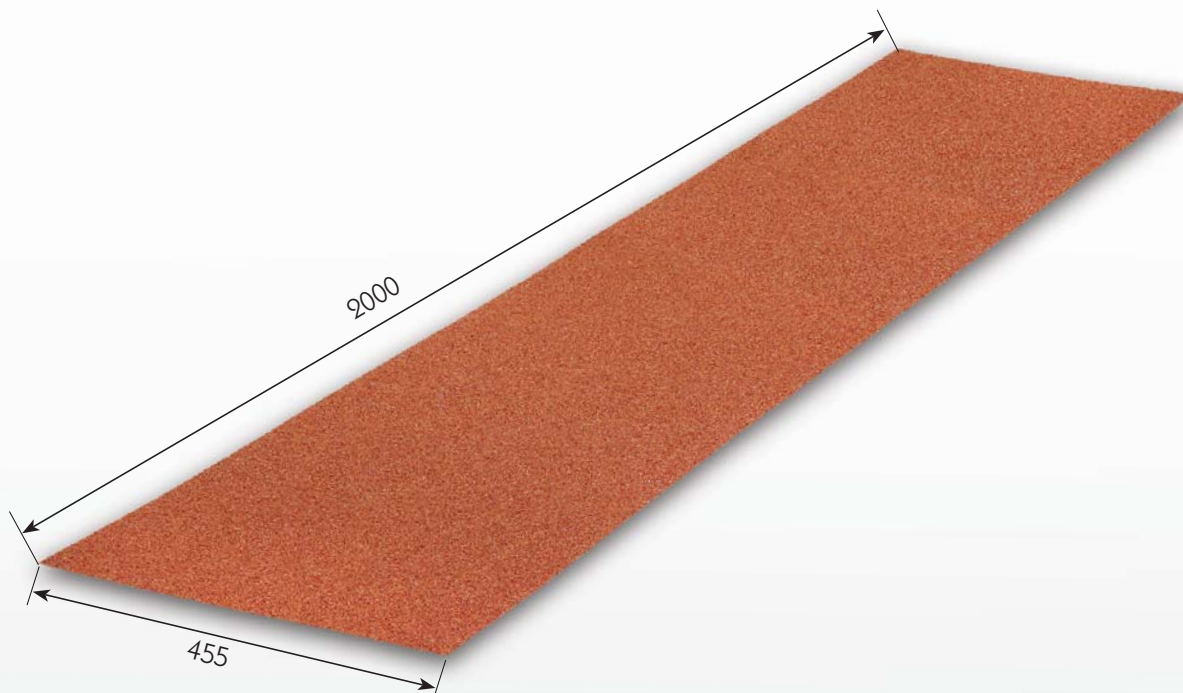
* The measurements and the weight may vary slightly by the finish that is added to the accessory.

Packing

Pieces per pallet	300
Pieces per column in a pallet	150
Number of columns in a pallet	2
Pallet dimensions	1400 x 1100 mm
In boxes?	possible // 10 products/box

Flat sheet Extra Large FSXL

To make your own accessories out of a flat sheet in same finish as the roof



Application

A flat sheet can be used to replace standard accessories by taylor made accessories.

Specifications

Length*	2000 mm
Width*	455 mm
Weight*	4,33 kg
Colours	See colour charts

* The measurements and the weight may vary slightly by the finish that is added to the accessory.

Packing

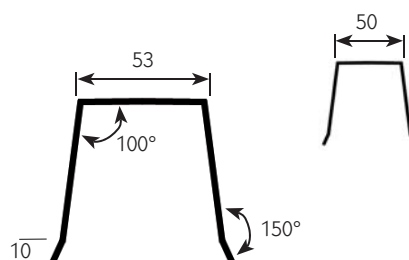
Pieces per pallet	200
Pieces per column in a pallet	100
Number of columns in a pallet	2
Pallet dimensions	1400 x 2200 mm
In boxes?	not possible

Square Ridge SR

Hip and ridge accessory
to give the roof a more squared effect.



Units in mm



Design

The Square ridge is designed to give your roof a squared 'finishing' effect.

This accessory is compatible with all of the roofing panels except the Shingle.

It is pressed from ALUZINC 185 metal and available a wide range of colour in granules, satin, brilliance finish to comply with the rest of the roofing materials.

Application

An squared ridge is for sealing the top course of the tiles at the ridge of the roof. It can also be used for the hips of the roof.

Specifications

Length*	1355 mm
Width*	70 mm
Weight*	1,20 kg
Colours	See colour charts

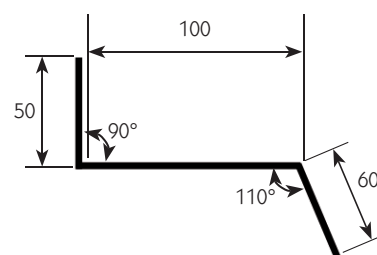
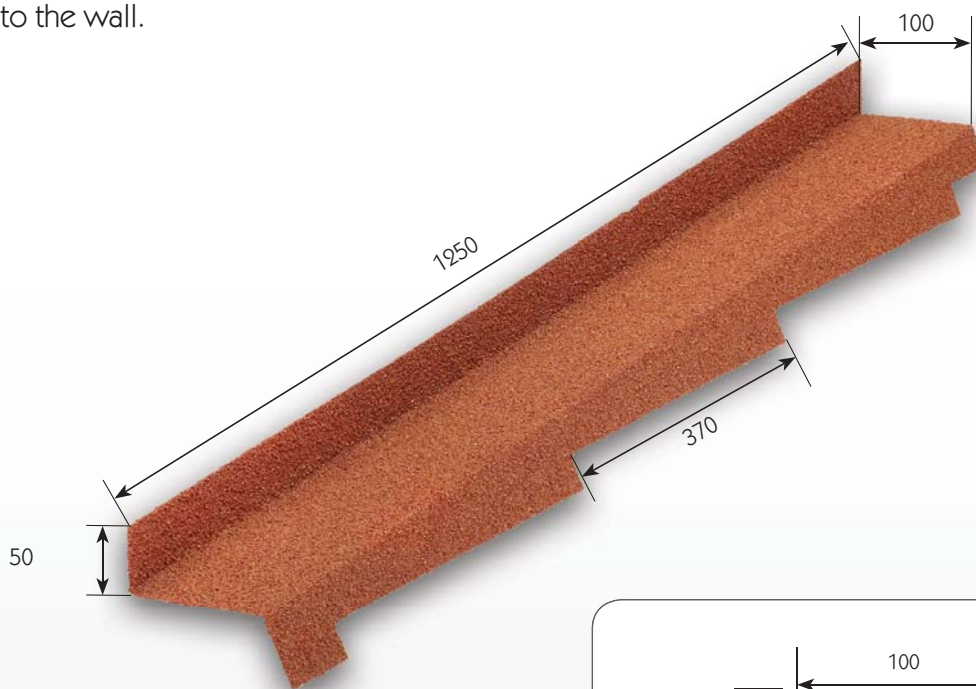
* The measurements and the weight may vary slightly by the finish that is added to the accessory.

Packing

Pieces per pallet	560
Pieces per row in a pallet	90
Number of rows in a pallet	6
Pallet dimensions	1400 x 1100 mm
In boxes?	possible // 10 products/box

Side wall flashing left SWFL

Accessory for sealing the sides of the roof to the wall.



Design

The leftsided wall flashing is designed to make a nice finish between your roof and the wall that is next to it.

This accessory is compatible with all of the roofing panels except the Shingle.

It is pressed from ALUZINC 185 metal and available a wide range of colour in granules, satin, brilliance finish to comply with the rest of the roofing materials.

Application

A side wall flashing is for sealing the tiles at the side of the roof to the wall.

Specifications

Length*	1250 mm
Usefull length*	1100 mm
Width*	100 mm
Weight*	1,20 kg
Colours	See colour charts

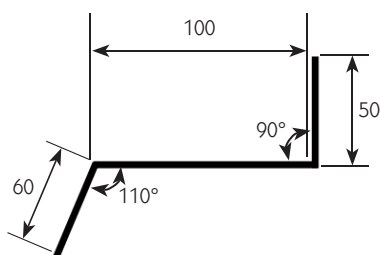
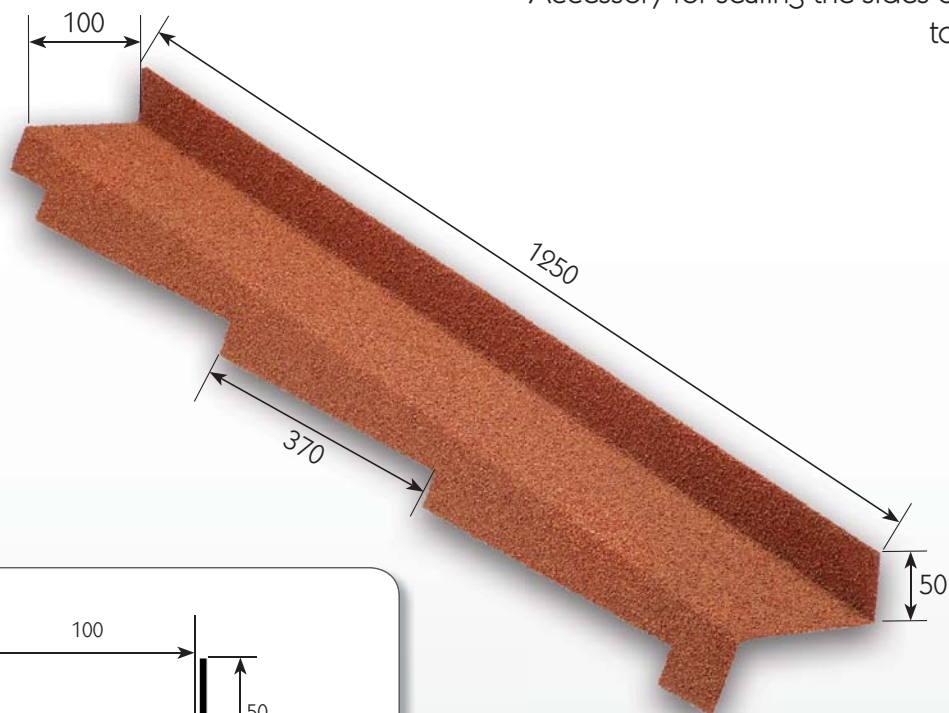
* The measurements and the weight may vary slightly by the finish that is added to the accessory.

Packing

Pieces per pallet	360
Pieces per row in a pallet	60
Number of rows in a pallet	6
Pallet dimensions	1400 x 1100 mm
In boxes?	possible // 10 pieces/box

Side wall flashing right SWFR

Accessory for sealing the sides of the roof to the wall.



Units in mm

Specifications

Length*	1250 mm
Usefull length*	1100 mm
Width*	100 mm
Weight*	1,20 kg
Colours	See colour charts

* The measurements and the weight may vary slightly by the finish that is added to the accessory.

Packing

Pieces per pallet	360
Pieces per row in a pallet	60
Number of rows in a pallet	6
Pallet dimensions	1400 x 1100 mm
In boxes?	possible // 10 pieces/box

Design

The rightsided wall flashing is designed to make a nice finish between your roof and the wall that is next to it.

This accessory is compatible with all of the roofing panels except the Shingle.

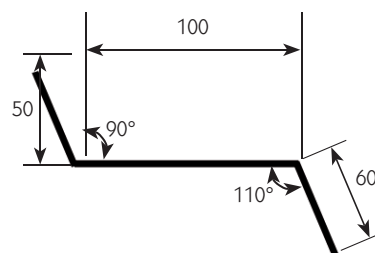
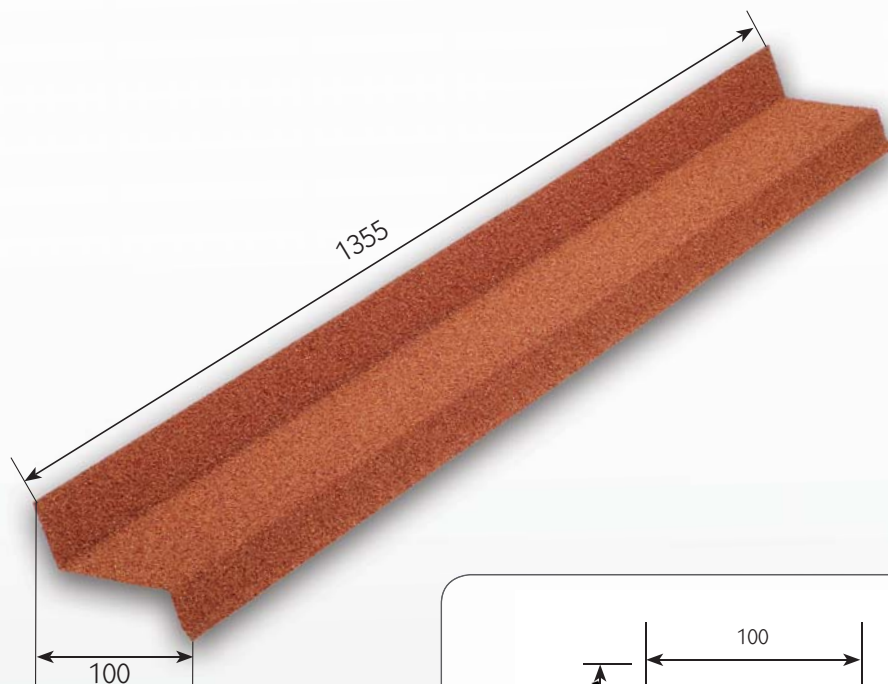
It is pressed from ALUZINC 185 metal and available a wide range of colour in granules, satin, brilliance finish to comply with the rest of the roofing materials.

Application

A side wall flashing is for sealing the tiles at the side of the roof to the wall.

Side wall flashing Stand. SWFS

Accessory for sealing the sides of the roof to the wall.



Design

The standard wall flashing is designed to make a nice finish between your roof and the wall that is next to it.

This accessory is compatible with all of the roofing panels except the Shingle.

It is pressed from ALUZINC 185 metal and available a wide range of colour in granules, satin, brilliance finish to comply with the rest of the roofing materials.

Application

A side wall flashing is for sealing the tiles at the side of the roof to the wall.

Specifications

Length*	1365 mm
Weight*	1,31 kg
Colours	See colour charts

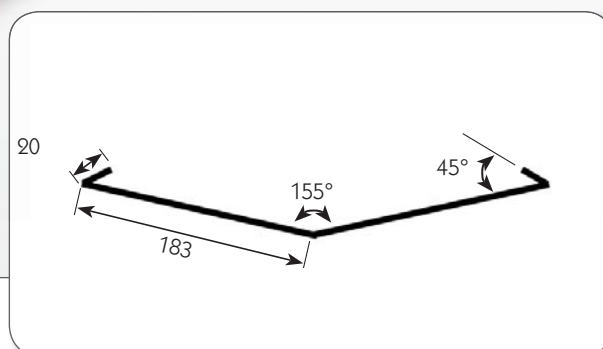
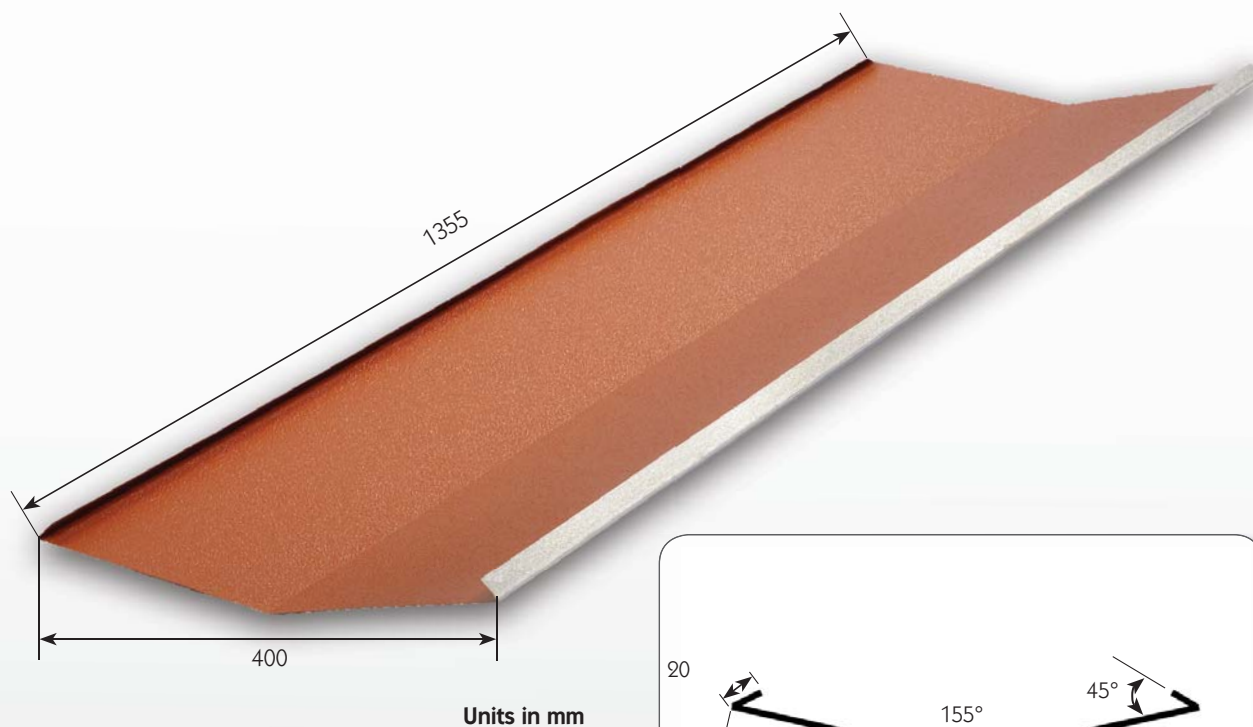
* The measurements and the weight may vary slightly by the finish that is added to the accessory.

Packing

Pieces per pallet	360
Pieces per row in a pallet	60
Number of rows in a pallet	6
Pallet dimensions	1400 x 1100 mm
In boxes?	possible // 10 pieces/box

Valley gutter VA

Accessory for where two roofs join at an angle.



Design

A roof valley is designed area where two adjacent roof sections meet, usually at a 90-degree angle. Water runoff funnels into this valley from both roof sections.

This accessory is compatible with all of the roofing panels.

The valley is pressed from ALUZINC 185 metal and available in painted (no granules) colours.

Application

A valley is nailed down at the edges on both roof sections.

Specifications

Length*	1355 mm
Width*	400 mm
Weight*	2,30 kg
Colours	See colour charts

* The measurements and the weight may vary slightly by the finish that is added to the accessory.

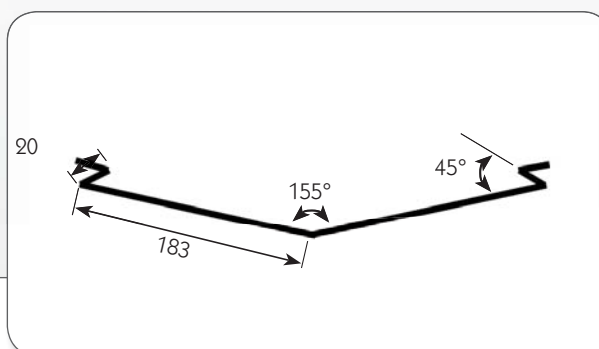
Packing

Pieces per pallet	150
Pieces per column in a pallet	50
Number of columns in a pallet	3
Pallet dimensions	1400 x 1100 mm
In boxes?	not possible

Valley Plagna VAP



Units in mm



Design

A roof valley plagna is designed area where two adjacent roof sections meet, usually at a 90-degree angle. Water runoff funnels into this valley from both roof sections.

This accessory is compatible with all of the roofing panels.

The valley is pressed from ALUZINC 185 metal and available in painted (no granules) colours.

Specifications

Length*	1355 mm
Width*	400 mm
Weight*	2,30 kg
Colours	See colour charts

* The measurements and the weight may vary slightly by the finish that is added to the accessory.

Packing

Pieces per pallet	150
Pieces per column in a pallet	50
Number of columns in a pallet	2
Pallet dimensions	1400 x 1100 mm
In boxes?	possible // 10 pieces/box